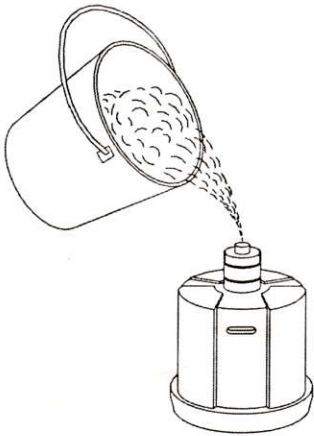


ASSEMBLY INSTRUCTION

STEP-1

FILL THE BASE WITH WATER OR SAND.



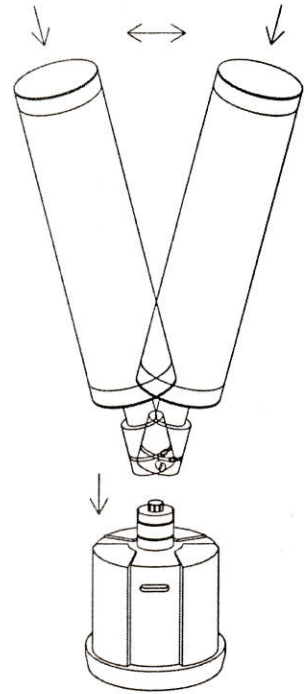
STEP-2

LID THE BASE.



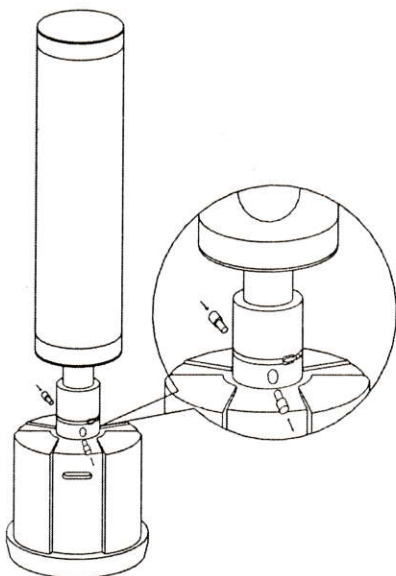
STEP-3

SHAKE AND SLIP THE BAG ONTO THE BASE.



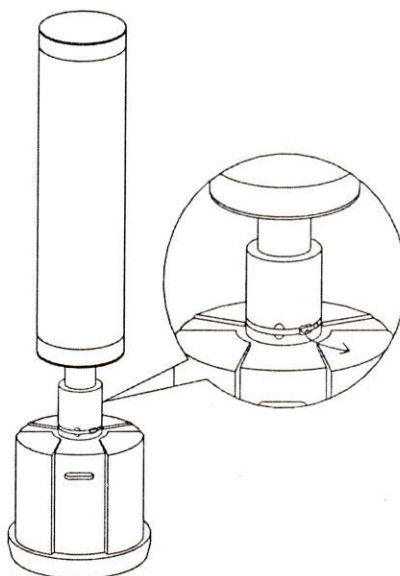
STEP-4

PUT TWO RUBBER PLUGS INTO BOTH SIDES.



STEP-5

COVER TWO HOLES WITH THE STEEL STRIPE THEN BUTTONED UP.



STEP-6

FINISHED.

